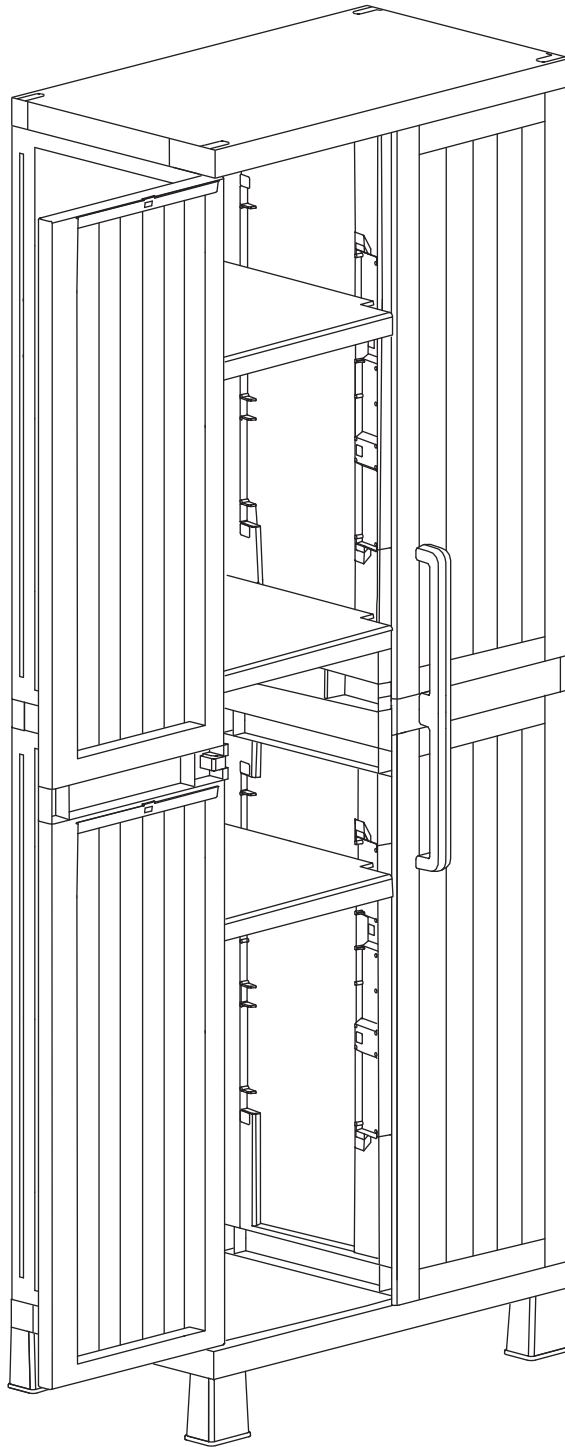


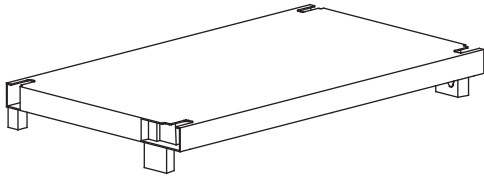
# WOOD MIDI



**Art. 267** cm 65x37x173h | in 26x15x68h

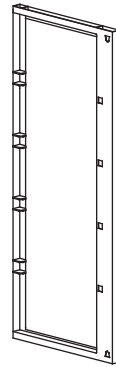


**A**



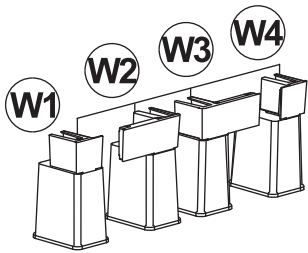
**PZ / PCS 2**

**B**



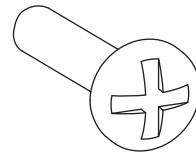
**PZ / PCS 4**

**W**



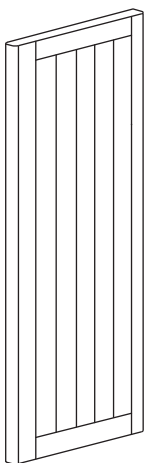
**PZ / PCS 1**

**I**



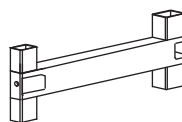
**PZ / PCS 8**

**C**



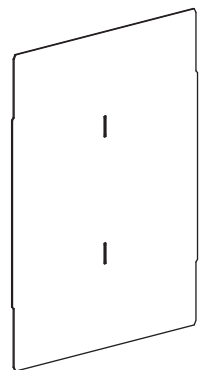
**PZ / PCS 4**

**P**



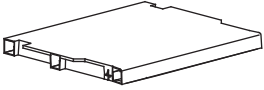
**PZ / PCS 2**

**00**



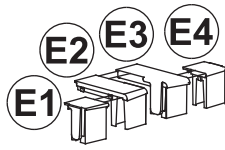
**PZ / PCS 2**

V



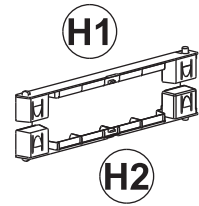
PZ / PCS 4

E



PZ / PCS 1

H



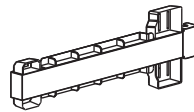
PZ / PCS 2

U



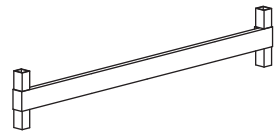
PZ / PCS 2

N



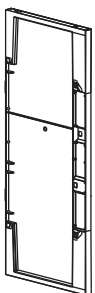
PZ / PCS 2

M



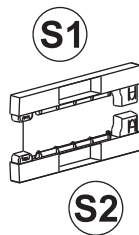
PZ / PCS 1

R



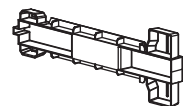
PZ / PCS 2

S



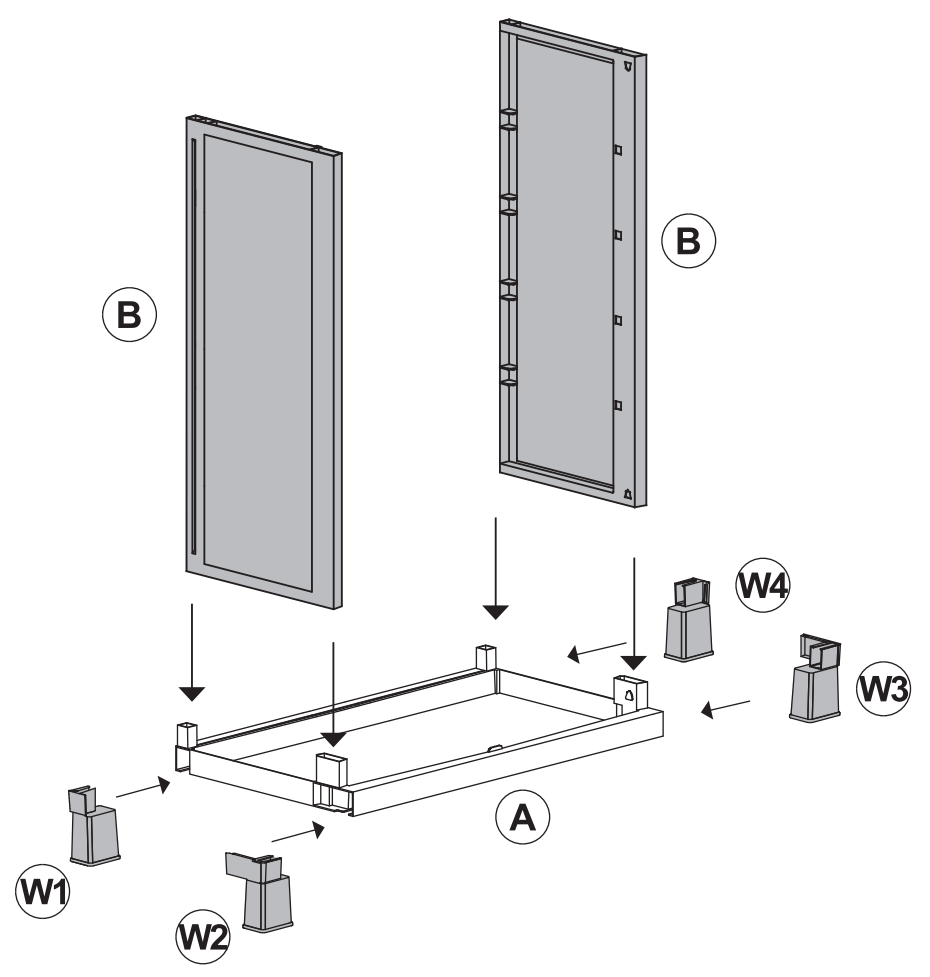
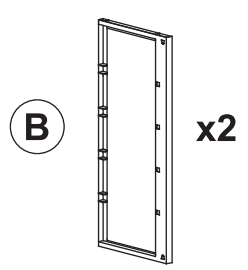
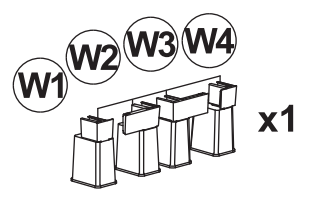
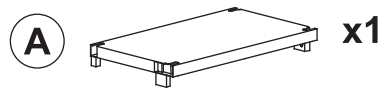
PZ / PCS 1

T

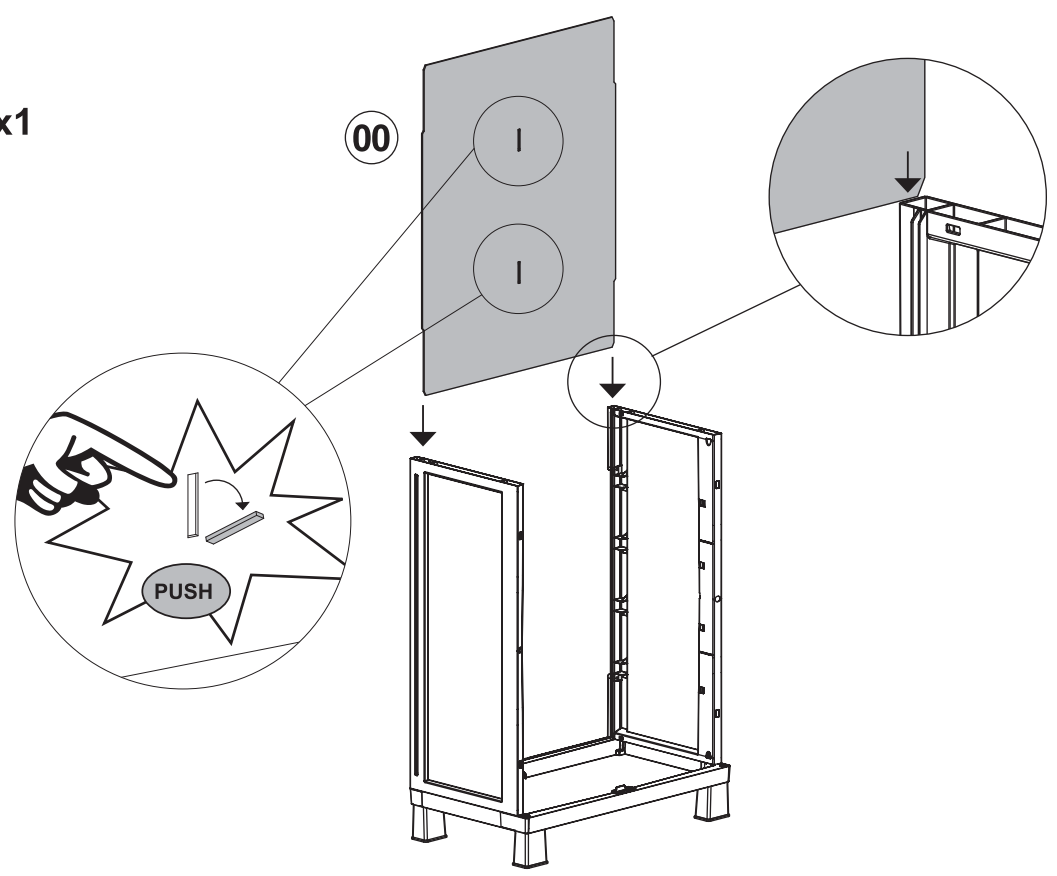
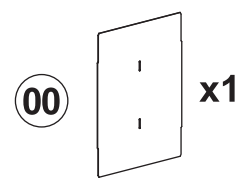


PZ / PCS 1

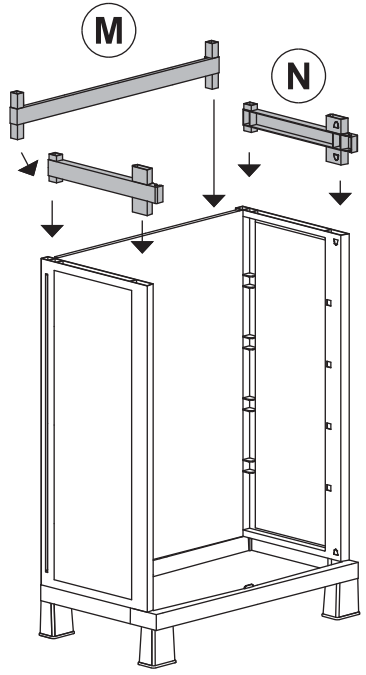
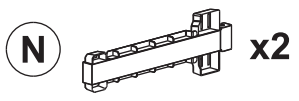
1



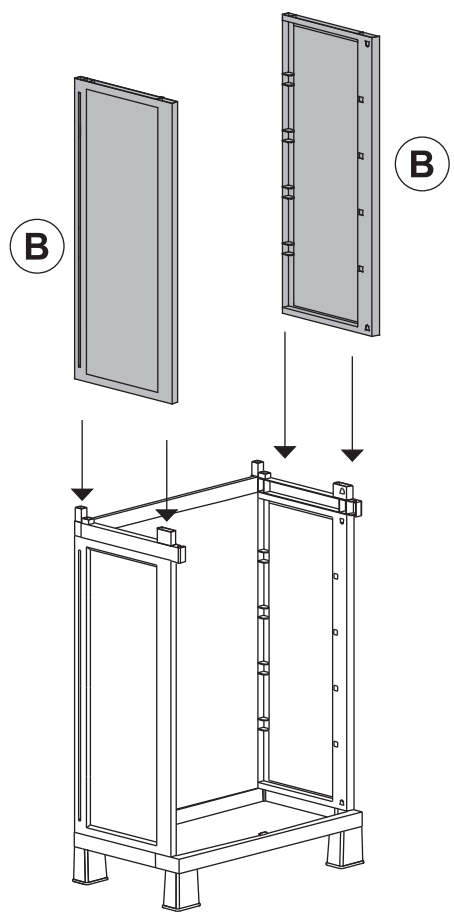
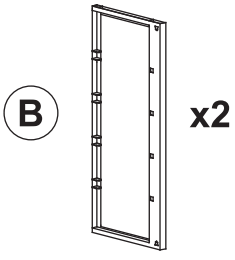
2



**3**

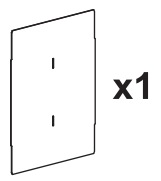


**4**

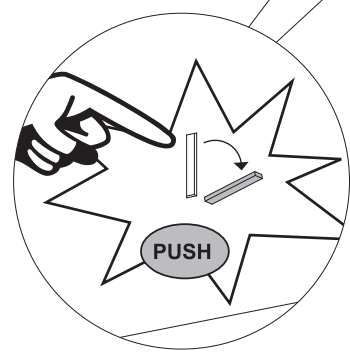
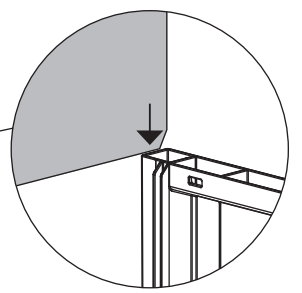
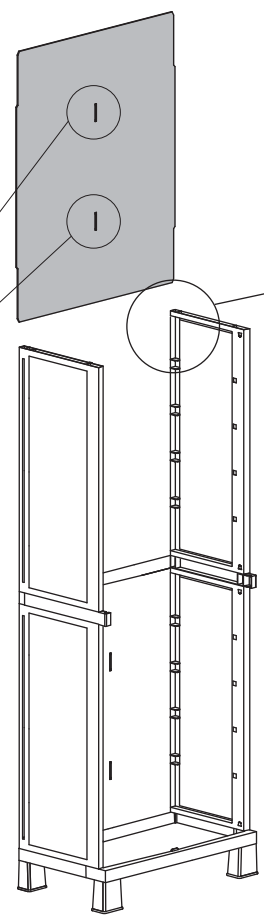


**5**

00

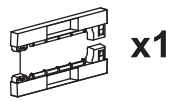


00



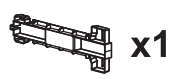
**6**

S2

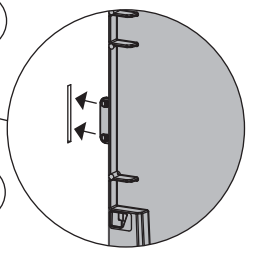
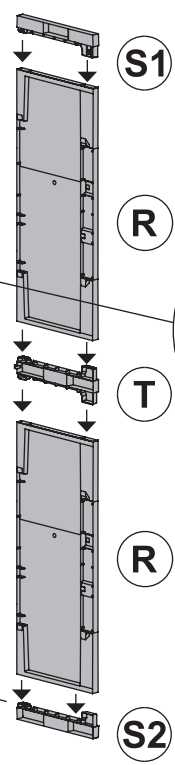
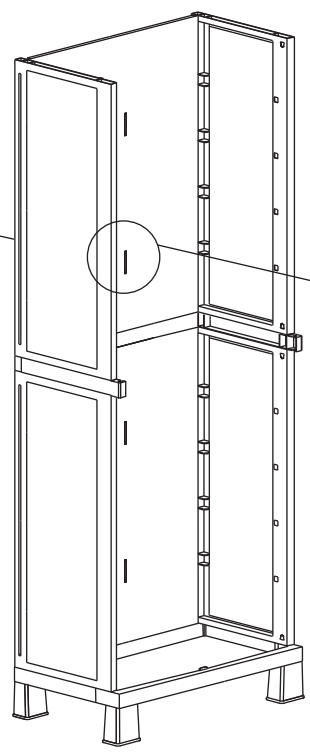
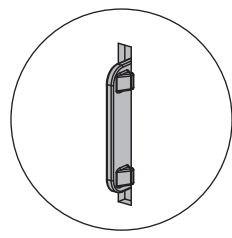
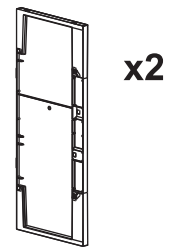


S1

T

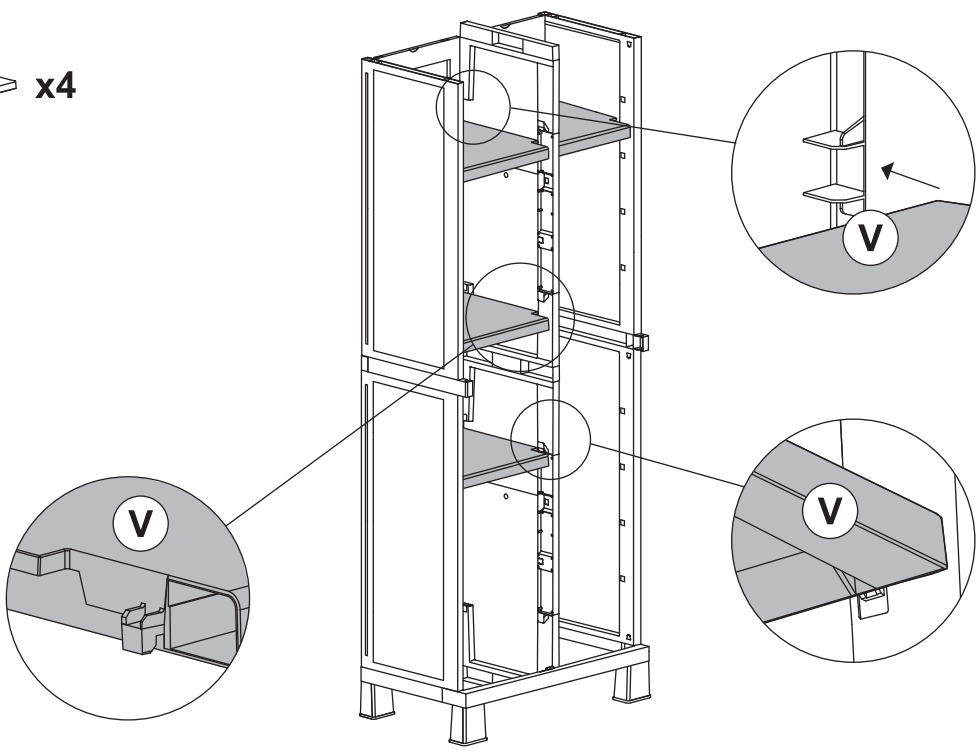


R



7

V x4

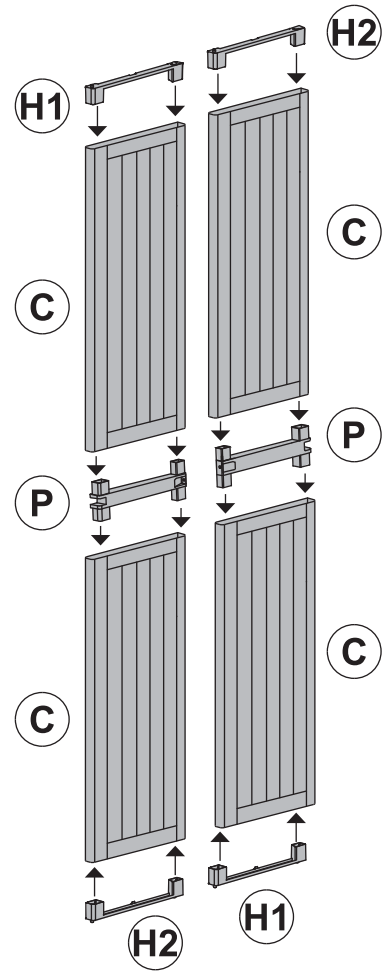


8

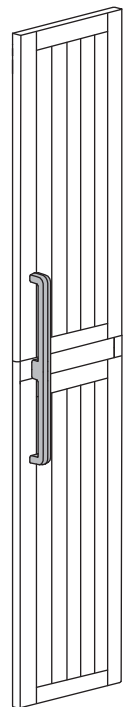
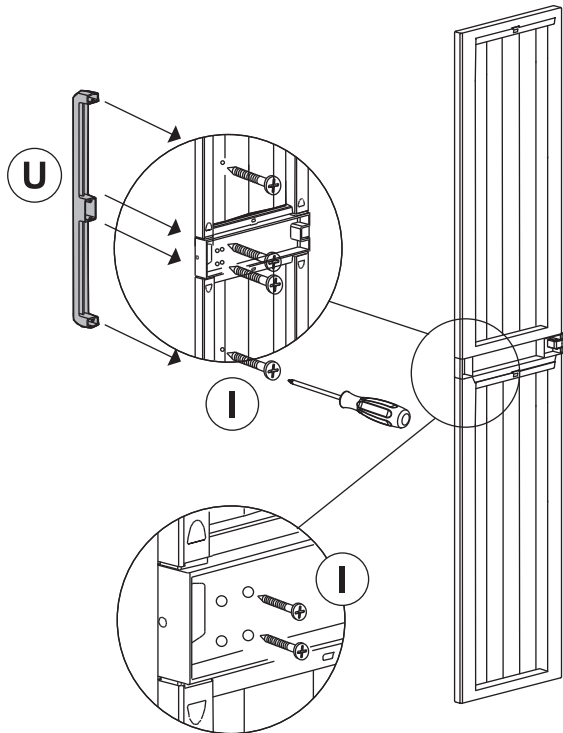
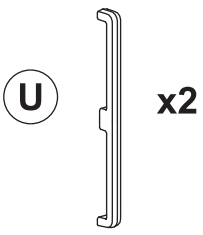
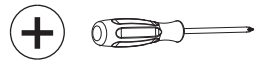
C x4

P x2

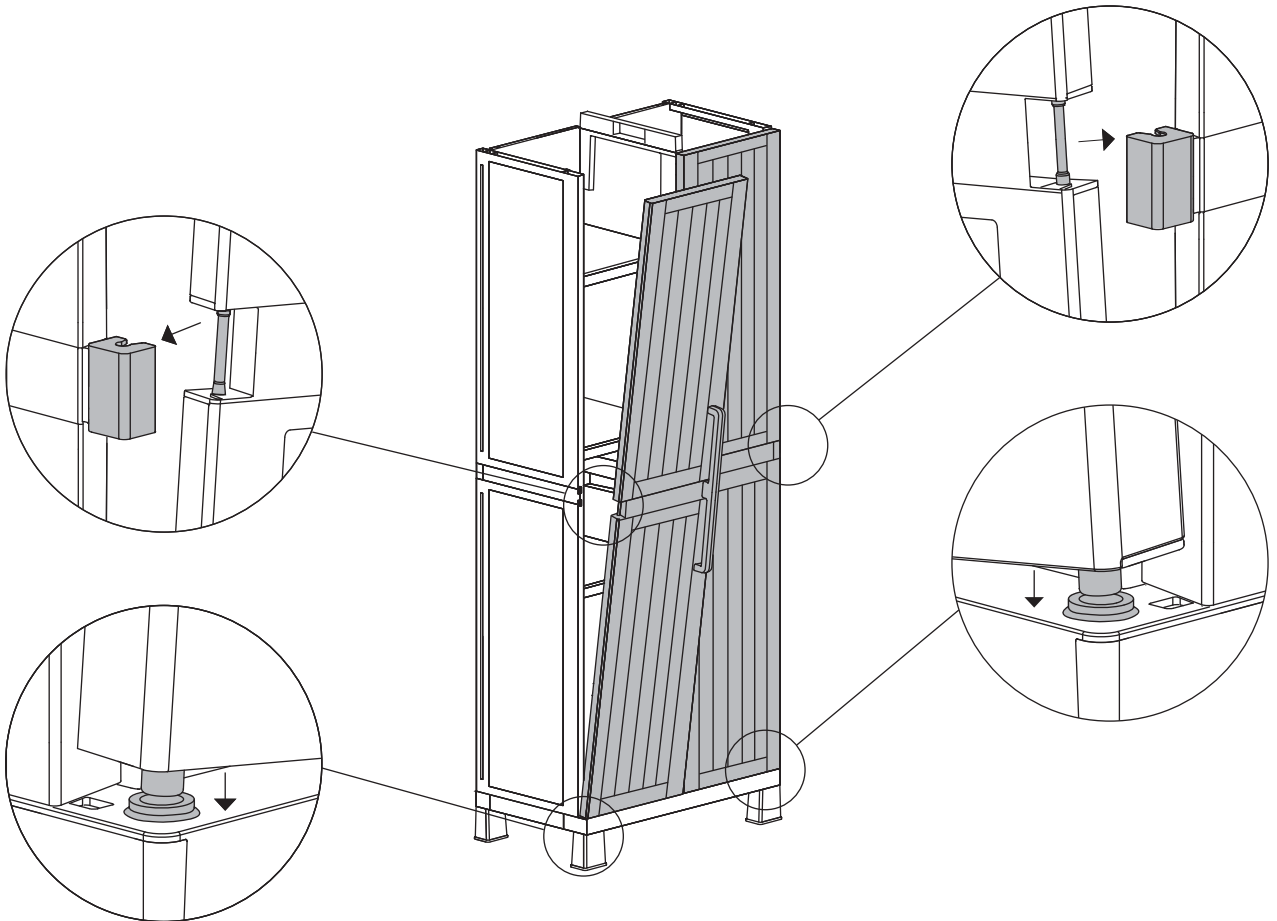
H1 x2  
H2



9

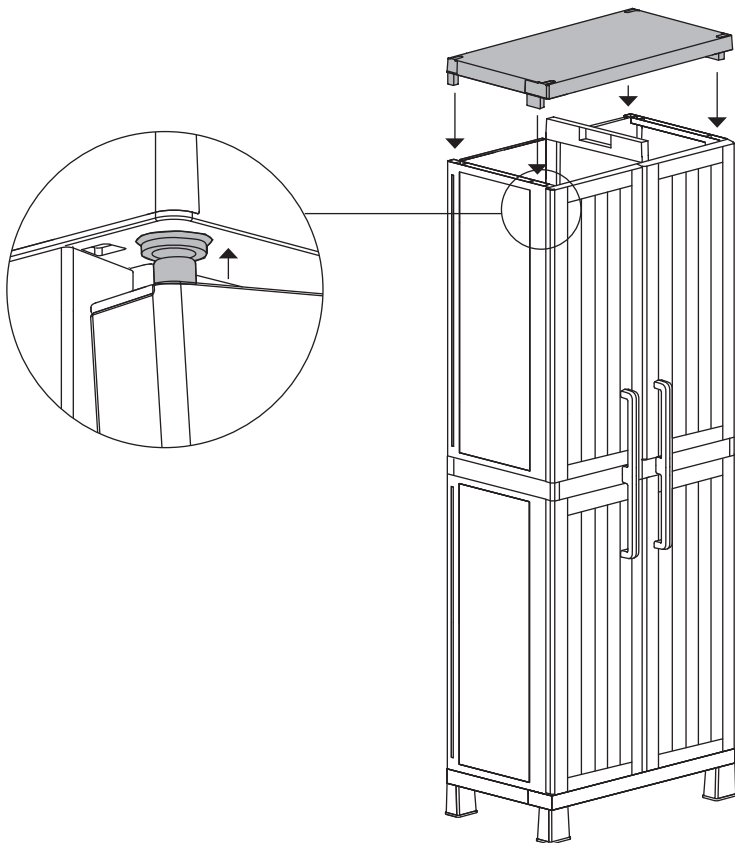
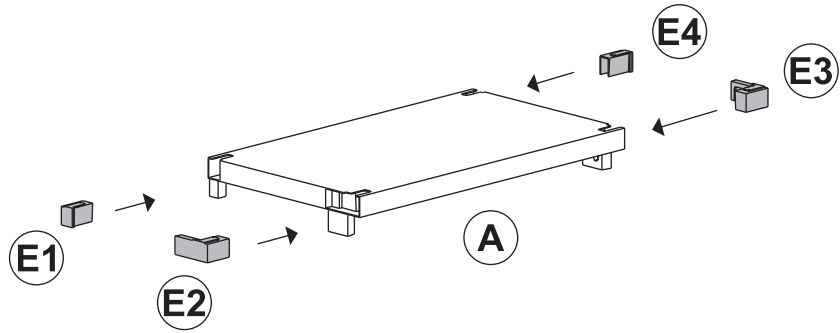
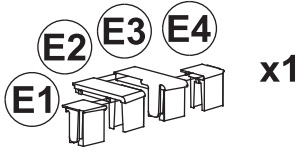
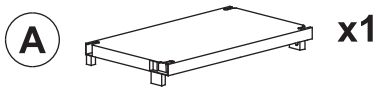


10





11









**Plastmeccanica S.p.A.**

Viale del Lavoro, 3

60030 Castelfellino (An) - ITALY

Tel. +39 0731 70766 - Fax +39 0731 703796

info@plastmeccanica.it



[www.toomax.it](http://www.toomax.it)